

SCOPE OF WORKS

SITE ESTABLISHMENT

- Provide Carpet Protection
- Laying Down of Plastic to Front of Breakout Area, Meeting Room 01 / Office

PARTITIONING WORKS

- Supply and install new plasterboard wall as per plan,
- Supply and install new glazing as per plan

DOORS

- 2 x Solid MDF Swing Door 2700H to Boardroom Dividing Wall

JOINERY

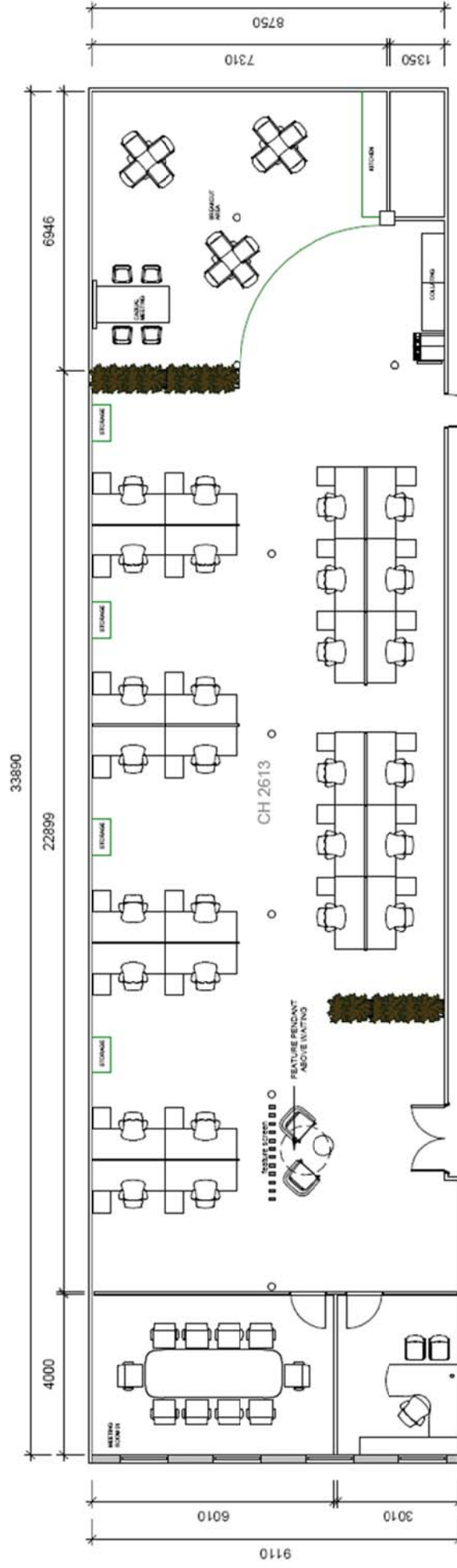
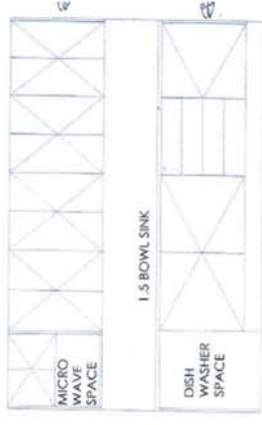
- Supply & Installation of New Kitchenette - Breakout Area
- 1 x Reece Clark Varese 1120mm Inset Kitchen Sink
- 1 x Reece Tap Posh Solus Kitchen Sink Mixer

PAINTING:

- New walls to be painted in 2 coats of low sheen acrylic paint
- No allowance for painting existing surfaces beyond the above.

RUBBISH REMOVAL, SKIP BINS & FINAL CLEAN

- Construction Clean - Breakout Area, Meeting Room 01 & Office
- Final Clean Up & Remove Rubbish(Hourly Rate) x 4Hrs



PLEASE NOTE THIS QUOTATION WAS BASED ON THE ABOVE PLAN. SCOPE OF WORKS TAKES PRECEDENCE OVER PLANS/ 3DS AND DRAWINGS